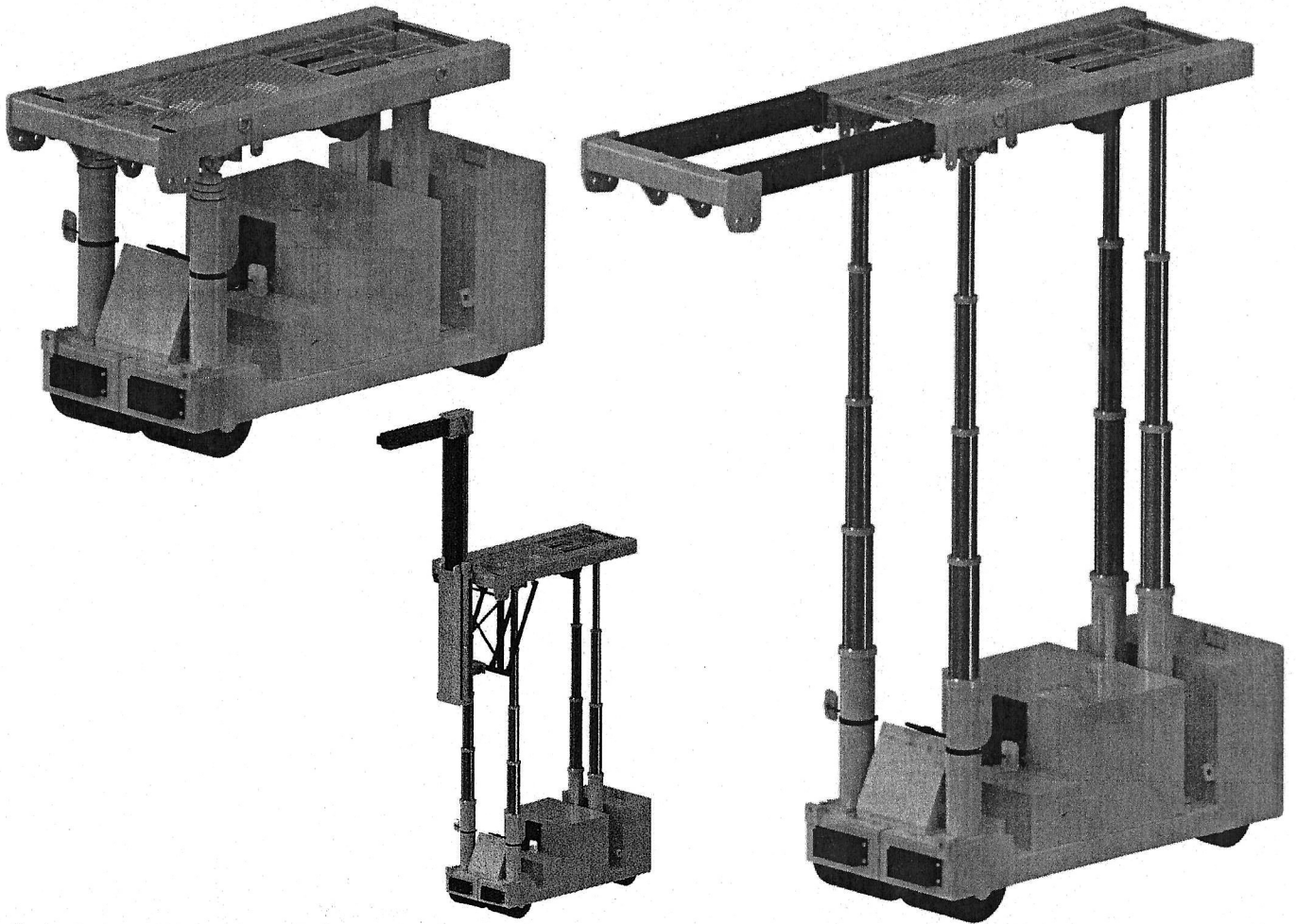


MODEL
TL100 TRILIFTER
50 TON (45 TONNE)



THE ULTIMATE RIGGING MACHINE

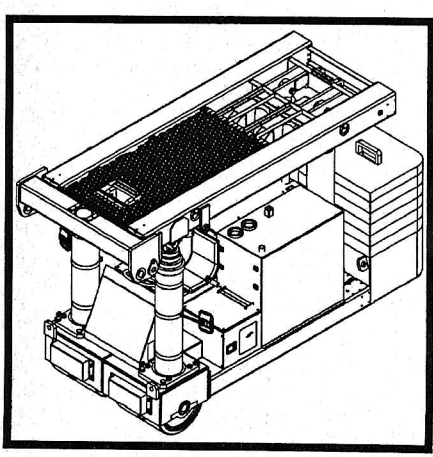
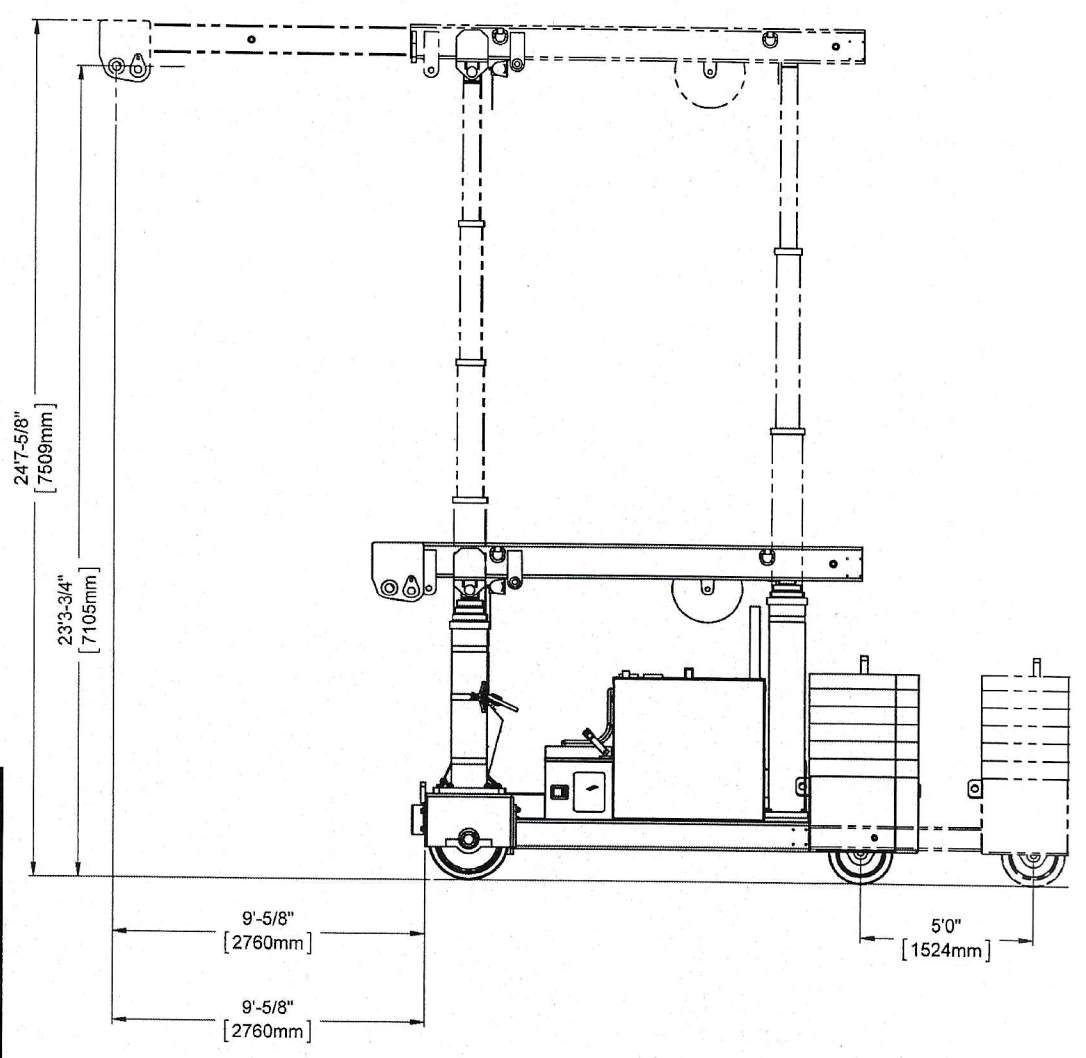
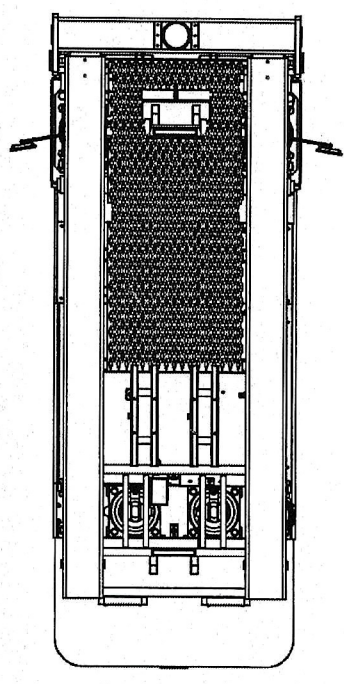
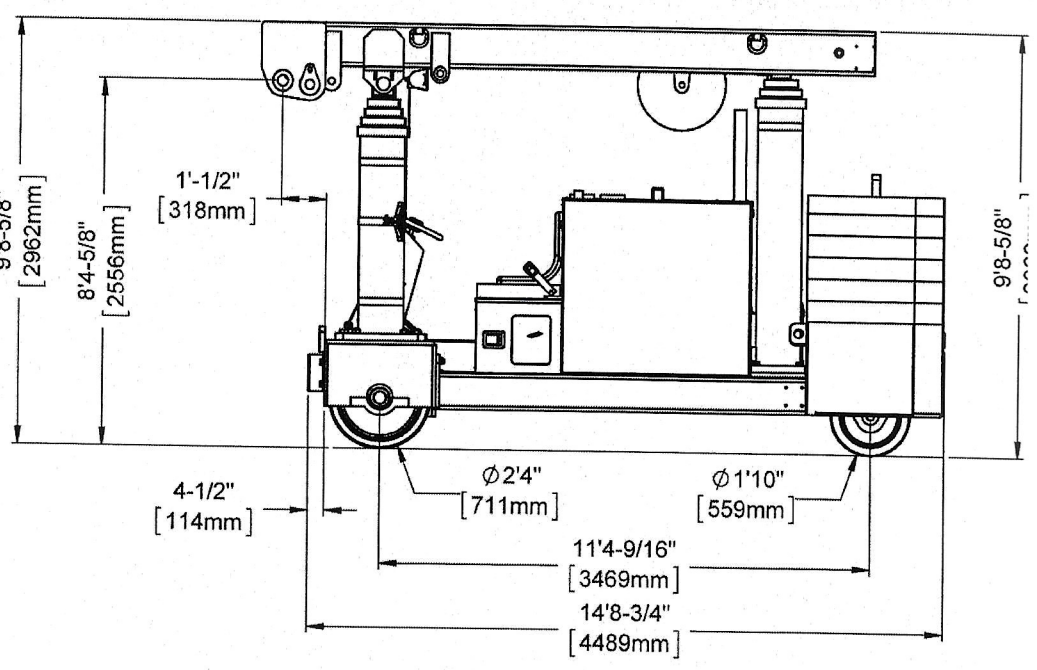
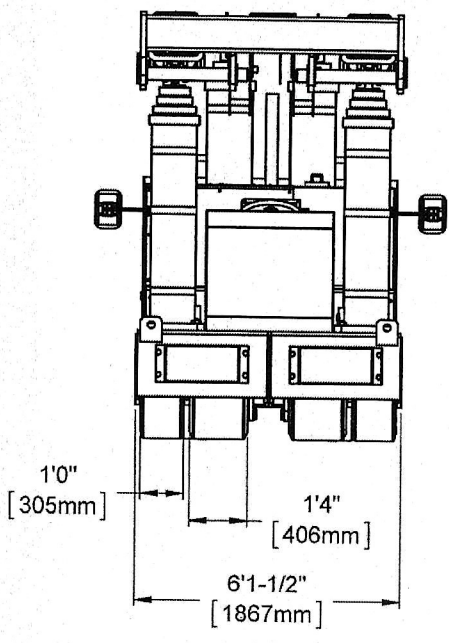


RIGGERS™
MANUFACTURING COMPANY



P.O. Box 506 Dixon, IL 61021 Phone: +1-815-288-7626 Fax: +1-815-288-7634
riggers@riggers.com www.riggers.com

TL100 DIMENSIONS



TL100 LOAD CHARTS

TL100 LIFTING CAPACITY FROM LIFTING EYES

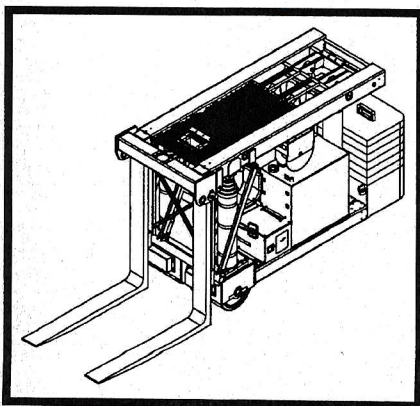
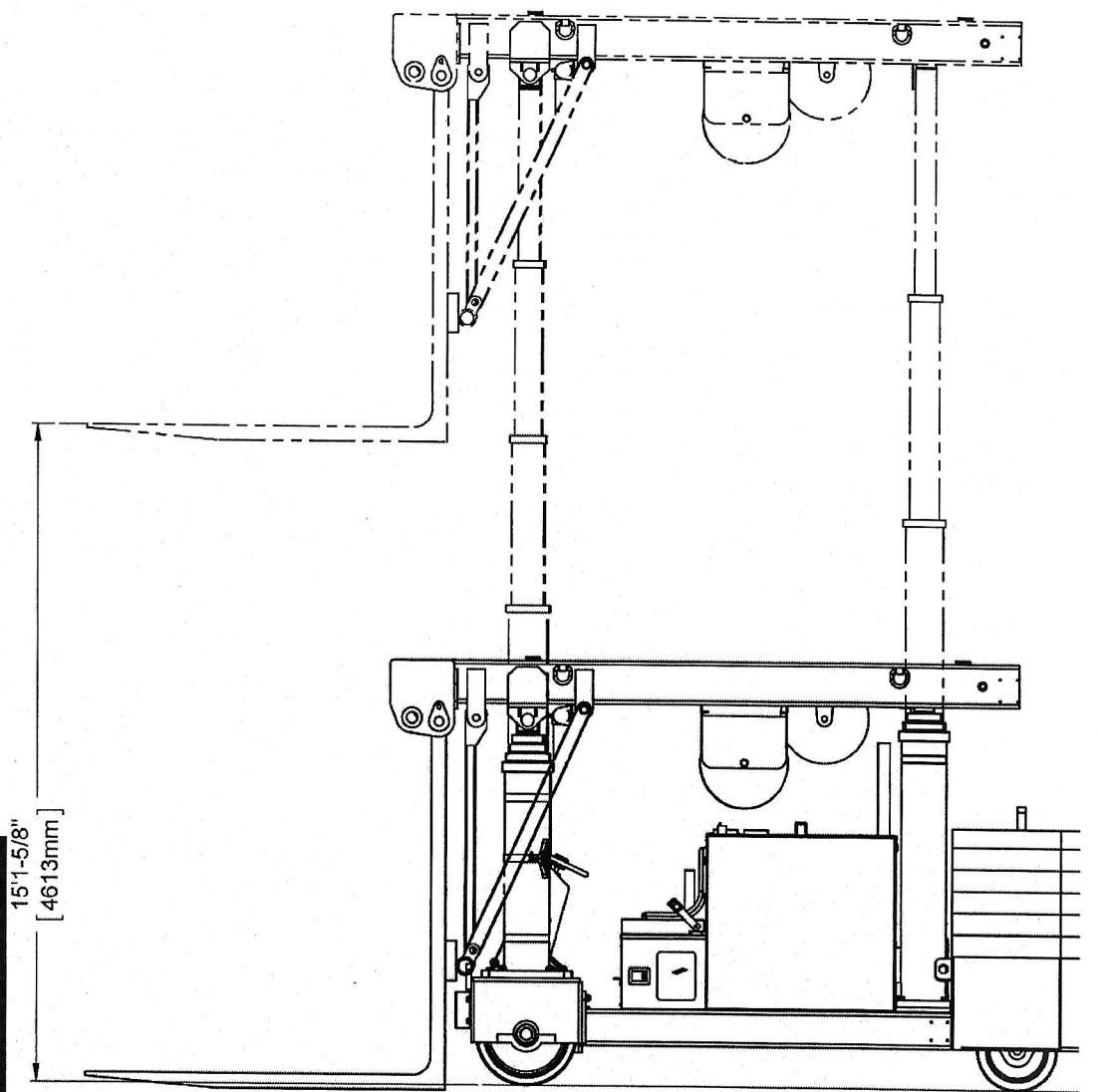
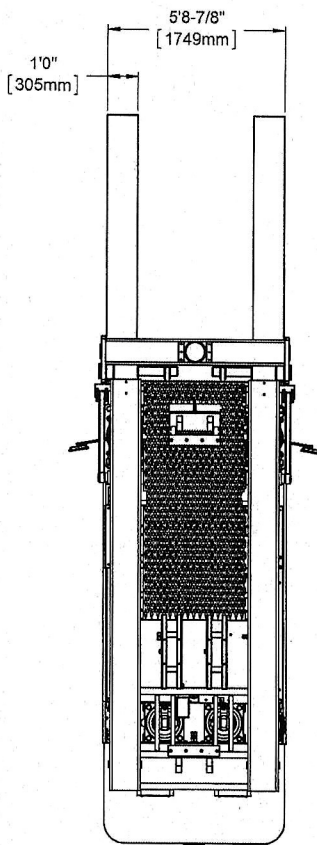
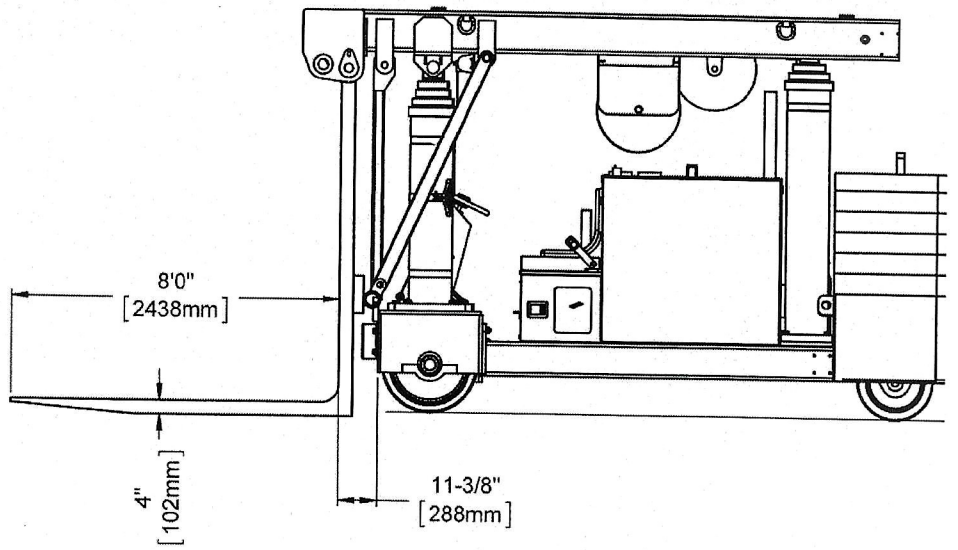
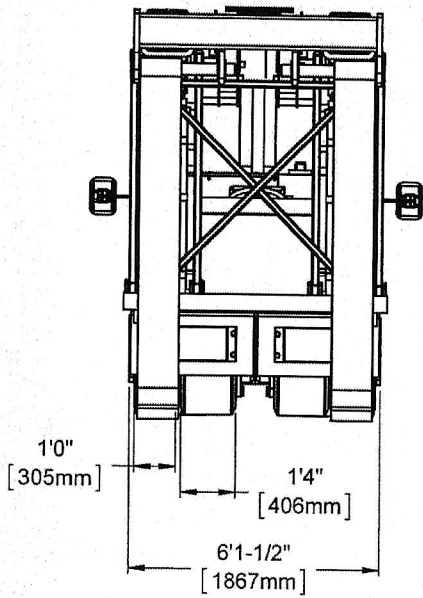
BOOM EXTENSION INCHES	COUNTERWEIGHT IN POUNDS	COUNTERWEIGHT OUT POUNDS
36	83,600	101,000
48	67,200	81,800
60	56,000	68,200
72	47,800	58,400
84	41,600	51,000
96	36,800	45,200
108	33,000	40,600

TL100 LOAD CHARTS—METRIC

TL100 LIFTING CAPACITY FROM LIFTING EYES

BOOM EXTENSION MILLIMETERS	COUNTERWEIGHT IN KILOGRAMS	COUNTERWEIGHT OUT KILOGRAMS
914	37,920	45,810
1219	30,480	37,100
1524	25,400	30,935
1,829	21,680	26,490
2,134	18,870	23,130
2,348	16,692	20,500
2,743	14,965	18,415

TL100 DIMENSIONS WITH FORKS



TL100 LOAD CHARTS WITH FORKS

TL100 LIFTING CAPACITY FROM 50 TON FORKS

LOAD CENTER INCHES	COUNTERWEIGHT IN POUNDS	COUNTERWEIGHT OUT POUNDS
24	80,200	100,000
36	64,000	66,000
48	50,000	50,000
60	40,000	40,000
72	33,000	33,000
84	28,000	28,000
96	24,000	24,000

TL100 LOAD CHARTS WITH FORKS—METRIC

TL100 LIFTING CAPACITY FROM 45 TONNE FORKS

LOAD CENTER MILLIMETERS	COUNTERWEIGHT IN KILOGRAMS	COUNTERWEIGHT OUT KILOGRAMS
610	36,375	45,355
914	29,030	29,935
1,219	22,670	22,670
1,524	18,140	18,140
1,829	14,965	14,965
2,134	12,700	12,700
2,438	10,885	10,885